

ZARF60150-L-TV

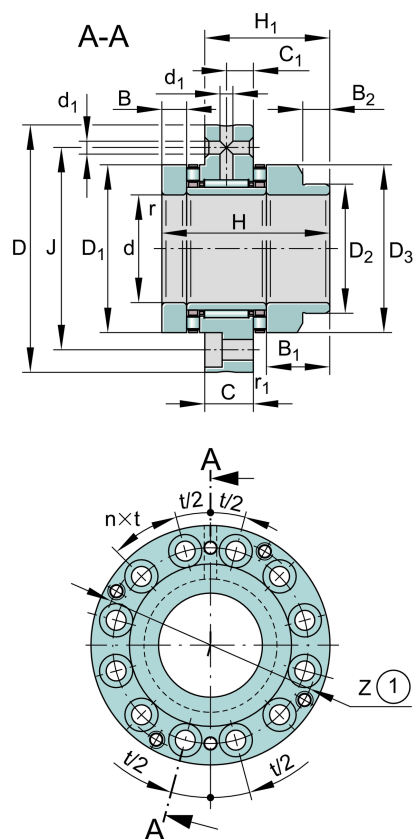
Needle roller/axial cylindrical roller bearing

Schaeffler ID:
0016833220000

Needle roller/axial cylindrical roller bearings ZARF...-L, double direction, for screw mounting, long shaft locating washer

Technical information

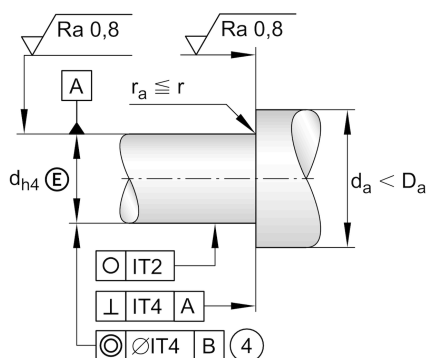
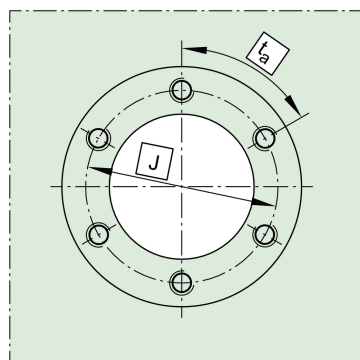
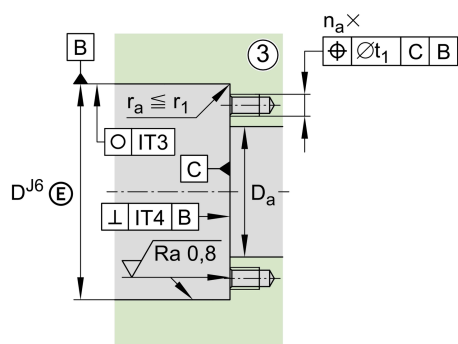
Main Dimensions & Performance Data



d	60 mm	Bore diameter
D	150 mm	Outside diameter
H	103 mm	Height
C_a	187.000 N	Basic dynamic load rating, axial
C_{0a}	550.000 N	Basic static load rating, axial
C_r	44.500 N	Basic dynamic load rating, radial
C_{0r}	92.000 N	Basic static load rating, radial
C_{ua}	51.000 N	Fatigue load limit, axial
C_{ur}	12.900 N	Fatigue load limit, radial
$n_{G\ Oil}$	2.700 1/min	Limiting speed for oil lubrication
$n_{G\ Grease}$	950 1/min	Limiting speed for grease lubrication
M_{RL}	4,2 Nm	Bearing friction torque
	5 kg	Weight

Mounting dimensions

$D_{a\ max}$	106 mm	Maximum diameter of housing shoulder
$d_{a\ min}$	88 mm	Minimum diameter shaft shoulder



Dimensions

H_1	72 mm	Height outer ring over wave washer
C	22,5 mm	Width, outer ring
C_1	12,5 mm	Distance to lubrication hole
D_1	105 mm	Rip diameter shaft washer
D_2	90 mm	Heeldiameter wave washer long
D_3	105 mm	Outside diameter wave washer long
B	17,5 mm	Width, wave washer
B_1	38,5 mm	Width wave washer long
B_2	18 mm	Width heel wave washer long
r_{min}	0,3 mm	Minimum chamfer dimension
$r_{1 min}$	0,6 mm	Minimum chamfer dimension 1
d_1	6 mm	Diameter lubrication hole
J	123 mm	Pitch circle diameter (holes)
n	12	Number (screwing holes)
$n \times t$	30 °	Split

Temperature range

T_{min}	-30 °C	Operating temperature min.
T_{max}	120 °C	Operating temperature max.

Additional information

c_{aL}	5.300 N/μm	Rigidity axial
c_{kL}	4.300 Nm/mrad	Tilting stiffness
M_m	54,5 kg*cm ²	Mass moment of inertia
	1 μm	Axial runout
radial	ZMA60/98	Recommended INA precision locknut for radial locking (not included)
axial	AM60	Recommended INA precision locknut for axial locking (not included)
M_A	250 Nm	Tightening torque nut
	41.144 N	Required locknut force
	90X110X12	Rotary shaft seal to DIN 3760 (not included)
	M10	Size fixing screws DIN EN ISO 4762 10.9 (not included)
n_a	12	Number of screws
$na \times ta$	30 °	Division (screwing holes)